

Luxecasting Composite Hose

Cryogenic Composite Hose

低温复合软管

3. 低温复合软管 LPG LNG

Cryogenic Composite Hose For LPG and LNG

LPG

Description

Luxecasting LPG is a hose designed with the combination of multilayer of different polymers and spirals in stainless steel 316 with the latest manufacturing technology that makes it an excellent and safe solution to support cryogenic products At temperatures up to -50°C and working pressures up to 25 bar.

In typical applications such as charge discharge of liquefied petroleum gas or ammonia gas both in trucks, wagons and Marine applications. Included bunkering operations ship to ship.

Construction

- Inner Wire spiral: Stainless Steel 316 (S)
- Outer Wire spiral: Stainless Steel 316 (S)
- Inner Lining: Polyamide/ BPPO
- Cover: Polyamide

Features

- Norms EN 13766: 2010
- Temperature range -50°C a +45 °C
- Safety factor 5:1
- Vacuum 0,9 bar
- Length coils: 30 m. Other under request.



应用

LPG复合软管由多层不同聚合物和316不锈钢丝缠绕而成，采用最新的制造技术，在输送低温产品时更出色和更安全，温度可达-50°C，工作压力可达25 bar。

典型应用有：卡车、货车和船舶的液化石油气或氨气的充放，也常用于船对船的加油作业

产品结构

- 内层钢丝：不锈钢丝316(S)
- 外层钢丝：不锈钢丝316(S)
- 内层内衬：聚酰胺/BPPO
- 外层材料：聚酰胺

产品特性

- 标准：EN 13766:2010
- 温度范围：-50°C 至 +45°C
- 安全系数：安全压力是工作压力的5倍
- 真空度：0.9bar
- 单卷长度：30m, 其它长度可定制



Technical data/技术参数

LPG	STANDARD DUTY							MARINE OR HEAVY DUTY		
	IN D Ø in	1	1 1/2	2	2 1/2	3	4	6	8	10
BR Ø mm	150	200	200	200	250	500	670	930	2550	
W Kg/m	1,60	1,80	2,20	2,65	3,80	5,70	16,40	28,70	31,00	
CODE Ø 25 bar/ 362 psi										
CODE Ø 20 bar/ 290 psi										

LNG

Description

Luxecasting LNG is a hose designed with the combination of multilayer of different polymers and spirals in stainless steel 316L with the latest manufacturing technology that makes it an excellent and safe solution to support cryogenic products at extreme temperatures up to -196°C and working pressures up to 10,5Bar. In typical applications such as liquefied natural gas discharge loading both on trucks, wagons and even Marine applications. Included bunkering operations ship to ship.

Construction

- Inner Wire spiral: Stainless Steel 316 L(S)
- Outer Wire spiral: Stainless Steel 316 L(S)
- Inner Lining: Polyamide / Polyester
- Cover: PVC Coated Polyester Cloth

Features

- Norms EN 13766: 2010
- Temperature range -196°C a +45 °C
- Safety factor 5:1
- Vacuum 0,9 bar
- Length coils: 30 m. Other under request.



应用

LNG复合软管是由多层不同聚合物和316不锈钢丝缠绕而成，采用最新的制造技术，可以确保在零下196°C的极端温度下和工作压力高达10.5 bar的情况下正常输送低温产品，是一款出色又安全的产品。

典型应用包括：卡车，货车，甚至船舶上液化天然气的装卸，也常用于船对船的加油作业。

产品结构

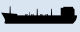

- 内层钢丝：不锈钢钢丝316L(S)
- 外层钢丝：不锈钢钢丝316L(S)
- 内层内衬：聚酰胺/聚酯
- 外层材料：PVC涂层聚酯布

产品特性

- 标准：EN 13766:2010
- 温度范围：-196°C 至 +45°C
- 安全系数：安全压力是工作压力的5倍
- 真空度：0.9bar
- 单卷长度：30m, 其它长度可定制



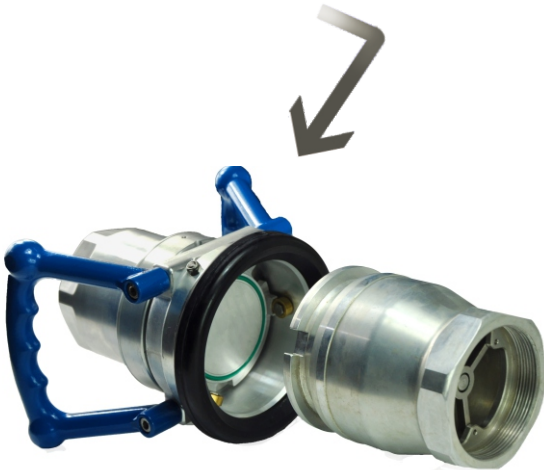
Technical data/技术参数

LNG	STANDARD DUTY							MARINE OR HEAVY DUTY 		
	IN D Ø in	1	1 1/2	2	2 1/2	3	4	6	8	10□
BR ⌀ mm	150	200	200	200	250	500	670	930	2550	
W  Kg/m	1,60	1,80	2,20	2,65	3,80	5,70	16,40	28,70	31,00	
CODE ○ 21 bar/ 304 psi										
CODE ○ 13 bar/ 189 psi										
CODE ○ 10,5 bar/ 152 psi										

DDC Couplings



LUXE DDC Coupling

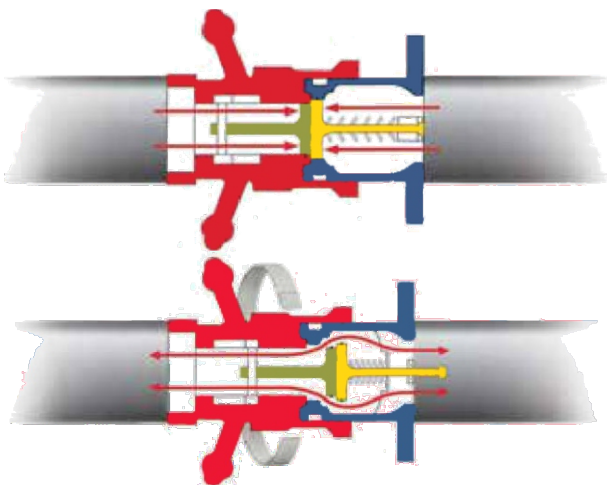


Why use our DDC ?

- **Safety First!**
Our DDC couplings are designed to protect the operators and the environment during the loading and unloading fluid process. The bidirectional sealing design ensures a safe and simple disassembly process.
- **Solutions**
We can supply a large range of material and sizes.
- **Multi-Brands compatibility.**
Our DDC are designed according NATO STANAG 3756 this allows us to be compatible with most brands.

How our DDC works ?

1. Turning the Hose Unit by 15° clockwise locks the units together.
2. The valves are still closed
3. Turning the Hose Unit by 90° opens the inside valves.
4. To close the valves and unlock the Units , reverse the process.



Advantages

- Avoid the loss of fluids during locking and unlocking connection process.
- Reduce the possibility of Human error in fluid transfer operation (mixing products)
- Ease of handling
- Protect the Human health
- Protect the Environment

DDC COUPLINGS

Materials:

Stainless Steel (1.4408)

Aluminium

Brass

Other on request

Working Pressure:

Stainless Steel = 25 bars (363 psi)

Aluminium = 10 bars (145 psi)

Brass WP = 16 bars (232 psi)

Test Pressure:

Stainless Steel = 37.5 bars (544 psi)

Aluminium = 15 bars (218 psi)

Brass = 24 bars (348 psi)

O-rings Seal:

FPM (-35°C / +140°C) for SS

NBR (-30°C / +100°C) for AL

Flat Seal :

PTFE (-25°C / +250°C)

End connections :

BSPP , NPT , ANSI 150 Lbs Flange ,
Other Thread and Flange
types on request.

Certificates :

ATEX , PED , 3.1 Material certificate



CERTIFICATES

ATEX



PED

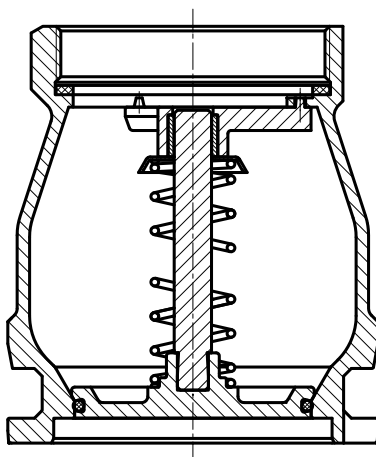


APPLICATION SCENARIOS

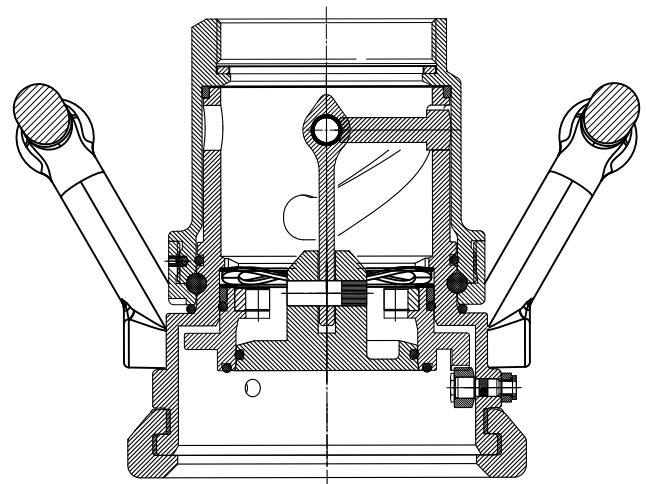


PRODUCT SKETCH

TANK UNIT (TU)



HOSE UNIT (TH)





Name	Size (mm)	Thread	Code	Thread	Code	Material
TH56	1"	BSPP ISO 228-1"	L1601087	NPT	L1601051	SS 1.4408
TH70	2"	BSPP ISO 228-2"	L1601026	NPT	L1601099	SS 1.4408
TH105	2 1/2"	BSPP ISO 228-2 1/2"	L1601005	NPT	L1601104	SS 1.4408
TH119	3"	BSPP ISO 228-3"	L1601057	NPT	L1601114	SS 1.4408
TH164	4"	BSPP ISO 228-4"	L1601018	NPT	L1601115	SS 1.4408
TH238	6"	BSPP ISO 228-6"	L1601182	NPT	L1601183	SS 1.4408
TH272	8"	BSPP ISO 228-8"	L1601218	NPT	L1601219	SS 1.4408



TH56	1"	BSPP ISO 228-1"	L1601168	NPT	L1601166	BR
TH70	2"	BSPP ISO 228-2"	L1601068	NPT	L1601154	BR
TH105	2 1/2"	BSPP ISO 228-2 1/2"	L1601069	NPT	L1601170	BR
TH119	3"	BSPP ISO 228-3"	L1601129	NPT	L1601070	BR
TH164	4"	BSPP ISO 228-4"	L1601137	NPT	L1601071	BR
TH238	6"	BSPP ISO 228-6"	L1601206	NPT	L1601207	BR
TH272	8"	BSPP ISO 228-8"	L1601214	NPT	L1601215	BR



TH56	1"	BSPP ISO 228-1"	L1601097	NPT	L1601046	AL
TH70	2"	BSPP ISO 228-2"	L1601047	NPT	L1601106	AL
TH105	2 1/2"	BSPP ISO 228-2 1/2"	L1601145	NPT	L1601146	AL
TH119	3"	BSPP ISO 228-3"	L1601113	NPT	L1601116	AL
TH164	4"	BSPP ISO 228-4"	L1601050	NPT	L1601081	AL
TH238	6"	BSPP ISO 228-6"	L1601202	NPT	L1601203	AL
TH272	8"	BSPP ISO 228-8"	L1601210	NPT	L1601211	AL

HOSE UNIT-Female Thread



Name	Size (mm)	Thread	Code	Thread	Code	Material
TU56	1"	BSPP ISO 228-1"	L1601093	NPT	L1601171	SS 1.4408
TU70	2"	BSPP ISO 228-2"	L1601032	NPT	L1601152	SS 1.4408
TU105	2 1/2"	BSPP ISO 228-2 1/2"	L1601044	NPT	L1601103	SS 1.4408
TU119	3"	BSPP ISO 228-3"	L1601034	NPT	L1601111	SS 1.4408
TU164	4"	BSPP ISO 228-4"	L1601024	NPT	L1601112	SS 1.4408
TU238	6"	BSPP ISO 228-6"	L1601178	NPT	L1601179	SS 1.4408
TU272	8"	BSPP ISO 228-8"	L1601216	NPT	L1601217	SS 1.4408



TU56	1"	BSPP ISO 228-1"	L1601167	NPT	L1601165	BR
TU70	2"	BSPP ISO 228-2"	L1601064	NPT	L1601159	BR
TU105	2 1/2"	BSPP ISO 228-2 1/2"	L1601065	NPT	L1601169	BR
TU119	3"	BSPP ISO 228-3"	L1601134	NPT	L1601066	BR
TU164	4"	BSPP ISO 228-4"	L1601142	NPT	L1601067	BR
TU238	6"	BSPP ISO 228-6"	L1601204	NPT	L1601205	BR
TU272	8"	BSPP ISO 228-8"	L1601212	NPT	L1601213	BR



TU56	1"	BSPP ISO 228-1"	L1601098	NPT	L1601039	AL
TU70	2"	BSPP ISO 228-2"	L1601001	NPT	L1601002	AL
TU105	2 1/2"	BSPP ISO 228-2 1/2"	L1601040	NPT	L1601102	AL
TU119	3"	BSPP ISO 228-3"	L1601041	NPT	L1601117	AL
TU164	4"	BSPP ISO 228-4"	L1601042	NPT	L1601083	AL
TU238	6"	BSPP ISO 228-6"	L1601200	NPT	L1601201	AL
TU272	8"	BSPP ISO 228-8"	L1601208	NPT	L1601209	AL

TANK UNIT-Female Thread



HOSE UNIT-Flange

Name	Size	Flange Type	Code	Material
TH56	1"	Flange ANSI 150 Lbs	L1603003	SS 1.4408
TH70	2"	Flange ANSI 150 Lbs	L1603004	SS 1.4408
TH105	2 1/2"	Flange ANSI 150 Lbs	L1603005	SS 1.4408
TH119	3"	Flange ANSI 150 Lbs	L1603006	SS 1.4408
TH164	4"	Flange ANSI 150 Lbs	L1603007	SS 1.4408
TH238	6"	Flange ANSI 150 Lbs	L1603034	SS 1.4408
TH272	8"	Flange ANSI 151 Lbs	L1603040	SS 1.4408
TH56	1"	Flange ANSI 150 Lbs	L1603023	BR
TH70	2"	Flange ANSI 150 Lbs	L1603024	BR
TH105	2 1/2"	Flange ANSI 150 Lbs	L1603025	BR
TH119	3"	Flange ANSI 150 Lbs	L1603026	BR
TH164	4"	Flange ANSI 150 Lbs	L1603027	BR
TH238	6"	Flange ANSI 150 Lbs	L1603036	BR
TH272	8"	Flange ANSI 151 Lbs	L1603042	BR
TH56	1"	Flange ANSI 150 Lbs	L1603013	AL
TH70	2"	Flange ANSI 150 Lbs	L1603014	AL
TH105	2 1/2"	Flange ANSI 150 Lbs	L1603015	AL
TH119	3"	Flange ANSI 150 Lbs	L1603016	AL
TH164	4"	Flange ANSI 150 Lbs	L1603017	AL
TH238	6"	Flange ANSI 150 Lbs	L1603038	AL
TH272	8"	Flange ANSI 150 Lbs	L1603044	AL

* Other Flange types on request



TANK UNIT-Flange

Name	Size	Flange Type	Code	Material
TU56	1"	Flange ANSI 150 Lbs	L1603008	SS 1.4408
TU70	2"	Flange ANSI 150 Lbs	L1603009	SS 1.4408
TU105	2 1/2"	Flange ANSI 150 Lbs	L1603010	SS 1.4408
TU119	3"	Flange ANSI 150 Lbs	L1603011	SS 1.4408
TU164	4"	Flange ANSI 150 Lbs	L1603012	SS 1.4408
TU238	6"	Flange ANSI 150 Lbs	L1603033	SS 1.4408
TU272	8"	Flange ANSI 150 Lbs	L1603039	SS 1.4408
TU56	1"	Flange ANSI 150 Lbs	L1603028	BR
TU70	2"	Flange ANSI 150 Lbs	L1603029	BR
TU105	2 1/2"	Flange ANSI 150 Lbs	L1603030	BR
TU119	3"	Flange ANSI 150 Lbs	L1603031	BR
TU164	4"	Flange ANSI 150 Lbs	L1603032	BR
TU238	6"	Flange ANSI 150 Lbs	L1603035	BR
TU272	8"	Flange ANSI 150 Lbs	L1603041	BR
TU56	1"	Flange ANSI 150 Lbs	L1603018	AL
TU70	2"	Flange ANSI 150 Lbs	L1603019	AL
TU105	2 1/2"	Flange ANSI 150 Lbs	L1603020	AL
TU119	3"	Flange ANSI 150 Lbs	L1603021	AL
TU164	4"	Flange ANSI 150 Lbs	L1603022	AL
TU238	6"	Flange ANSI 150 Lbs	L1603037	AL
TU272	8"	Flange ANSI 150 Lbs	L1603043	AL

* Other Flange types on request